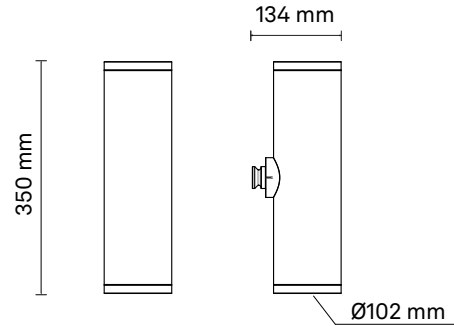
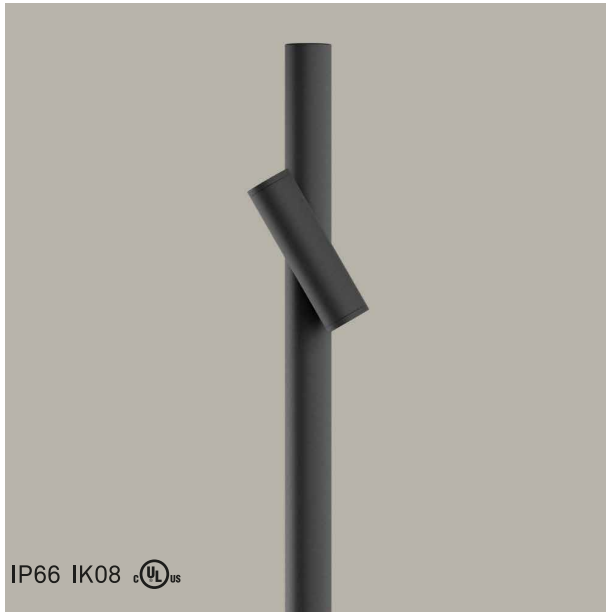



Nebula Compact S | Luminaire



IP66 IK08 

Ordering Information / Guide

Example: **LUNEBS1-U-D02-827-L015-SP-V0-F35-MU-CN0**

Optique	Ra+K	Luminous flux	Screen finish	Power supply	Driver Function	ISO Class	Finish
D67 Wide flood	827 Ra80 2700 K	L015 1500 lm	ST Transparent	V0 120V-277V	F35 0-10V+CLO	MU UL	CN0 Grey [Neri] Textured
D68 Very wide flood	830 Ra80 3000 K	L025 2500 lm	SP Prismatic				
D66 Flood	840 Ra80 4000 K						
D02 T2							
D10 T4							
D65 T5 round							

Generated code: **LUNEBS1-U** - _ _ _ _ _ - _ _ _ _ _ - _ _ _ _ _ - _ _ _ _ _ - _ _ _ _ _

CONFIGURATION NOTES

The product features shown in this datasheet cannot always be freely combined.
 To verify the configurations actually available and define the corresponding product code, please use the configurator available on our website.

Nebula Compact S | Luminaire

SOURCE

COB LED.	
Energy-efficiency class	C
LED forward current	316-660 mA
Power rating	10.4-22.5 W
Nominal Flux	1500-2500 lm
Nominal CCT (Color temperature)	2700 K / 3000 K / 4000 K
Color Rendering Index (Ra)	80
Standard Deviation Colour Matching	≤3

LIGHTING CHARACTERISTICS

Single silicone lens.	
LED quantity	1

ELECTRICAL CHARACTERISTICS

Luminaire power	12.8-25.7 W
Power supply	120V-277V- 50/60Hz
Insulation class	UL

MECHANICAL CHARACTERISTICS

Structure made of extruded aluminum and sheet aluminum with an external frame and integrated heat sink in cast aluminum.	
Protective screen in extra-clear tempered flat glass, transparent or prismatic, with silicone gaskets and exposed stainless steel or burnished screws.	
Central aluminum sheet cover for access to the tilt adjustment compartment.	
Equipped with an osmotic valve for internal/external pressure balancing.	
Diameter	4.016 in
Height	13.78 in
Weight	6.61 lb
EPA	2.26 ft ²

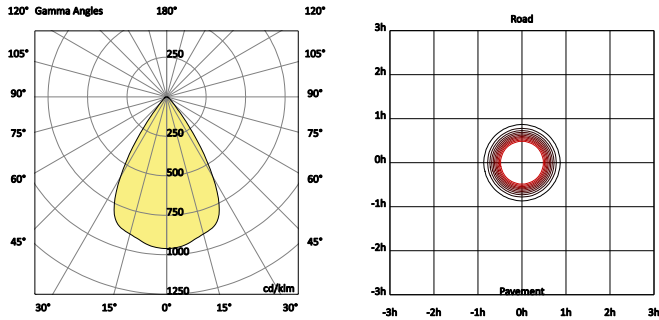
INSTALLATION

Fixing via adjustable joint with continuous ±45° regulation and locking by means of two M6 grub screws with stainless steel locknuts.

Nebula Compact S | Luminaire

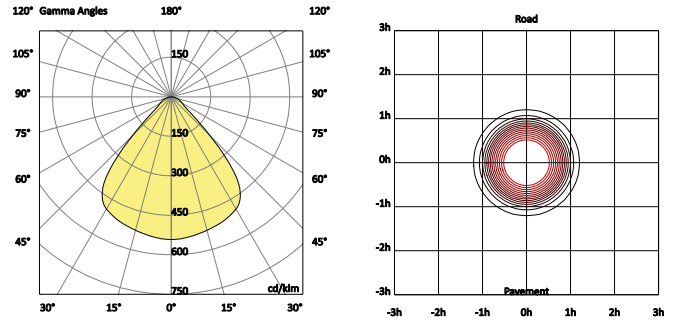
Optic: Wide flood

Screen finish: Transparent



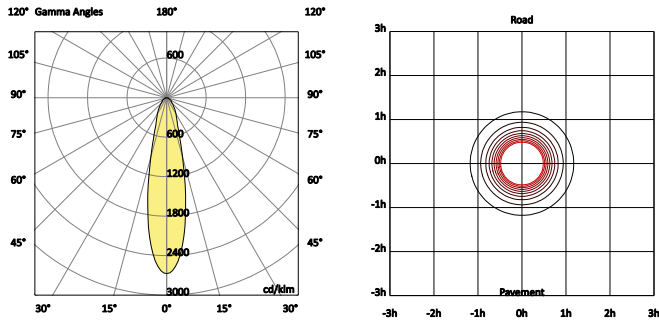
Optic: Very wide flood

Screen finish: Transparent



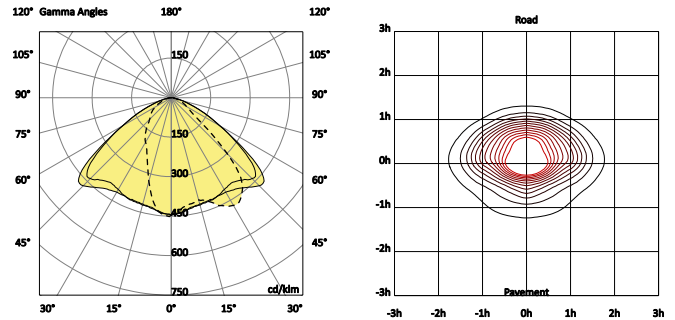
Optic: Flood

Screen finish: Transparent



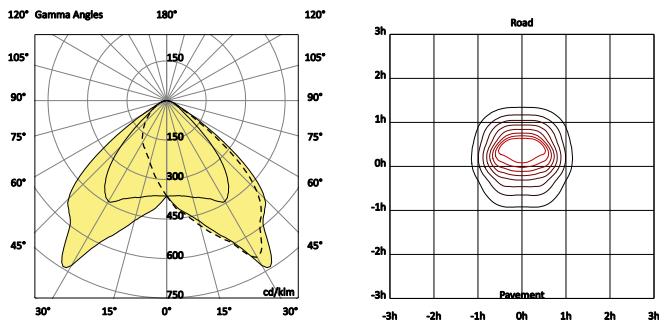
Optic: T2

Screen finish: Prismatic



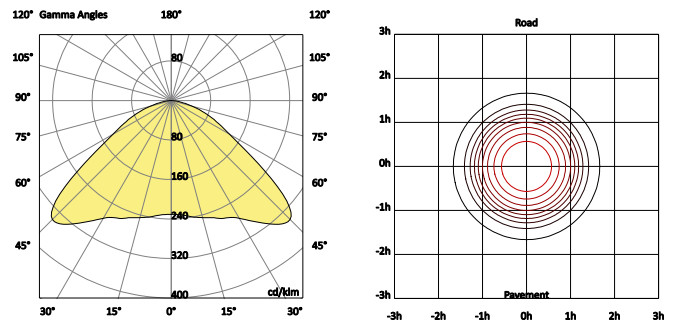
Optic: T4

Screen finish: Prismatic



Optic: T5 round

Screen finish: Prismatic



Nebula Compact S | Luminaire

Optic: Wide flood

Screen finish: Transparent

System					Source			BUG		
Luminous Flux	Nominal CCT	W	lm/W	n° led	mA	W	lm/W	Backlight	Uplight	Glare
1500 lm	2700 K	13.2	114	1	327	10.8	139	2	0	0
1500 lm	3000 K	12.9	116	1	320	10.5	143	2	0	0
1500 lm	4000 K	12.8	117	1	316	10.4	144	2	0	0
2500 lm	2700 K	24	104	1	616	20.9	120	2	0	0
2500 lm	3000 K	23.4	107	1	599	20.3	123	2	0	0
2500 lm	4000 K	23.1	108	1	591	20	125	2	0	0

Optic: Very wide flood

Screen finish: Transparent

System					Source			BUG		
Luminous Flux	Nominal CCT	W	lm/W	n° led	mA	W	lm/W	Backlight	Uplight	Glare
1500 lm	2700 K	13.2	114	1	327	10.8	139	1	0	0
1500 lm	3000 K	12.9	116	1	320	10.5	143	1	0	0
1500 lm	4000 K	12.8	117	1	316	10.4	144	1	0	0
2500 lm	2700 K	24	104	1	616	20.9	120	2	0	0
2500 lm	3000 K	23.4	107	1	599	20.3	123	2	0	0
2500 lm	4000 K	23.1	108	1	591	20	125	2	0	0

Optic: Flood

Screen finish: Transparent

System					Source			BUG		
Luminous Flux	Nominal CCT	W	lm/W	n° led	mA	W	lm/W	Backlight	Uplight	Glare
1500 lm	2700 K	13.2	114	1	327	10.8	139	1	0	0
1500 lm	3000 K	12.9	116	1	320	10.5	143	1	0	0
1500 lm	4000 K	12.8	117	1	316	10.4	144	1	0	0
2500 lm	2700 K	24	104	1	616	20.9	120	2	0	0
2500 lm	3000 K	23.4	107	1	599	20.3	123	2	0	0
2500 lm	4000 K	23.1	108	1	591	20	125	2	0	0

Optic: T2

Screen finish: Prismatic

System					Source			BUG		
Luminous Flux	Nominal CCT	W	lm/W	n° led	mA	W	lm/W	Backlight	Uplight	Glare
1500 lm	2700 K	13.9	108	1	347	11.4	132	1	0	0
1500 lm	3000 K	13.7	109	1	339	11.2	134	1	0	0
1500 lm	4000 K	13.4	112	1	335	11	136	1	0	0
2500 lm	2700 K	25.7	97	1	660	22.5	111	1	0	1
2500 lm	3000 K	25.1	100	1	642	21.9	114	1	0	1
2500 lm	4000 K	24.6	102	1	633	21.5	116	1	0	1

Nebula Compact S | Luminaire

Optic: T4

Screen finish: Prismatic

System					Source			BUG		
Luminous Flux	Nominal CCT	W	lm/W	n° led	mA	W	lm/W	Backlight	Uplight	Glare
1500 lm	2700 K	13.9	108	1	347	11.4	132	1	0	0
1500 lm	3000 K	13.7	109	1	339	11.2	134	1	0	0
1500 lm	4000 K	13.4	112	1	335	11	136	1	0	0
2500 lm	2700 K	25.7	97	1	660	22.5	111	1	0	0
2500 lm	3000 K	25.1	100	1	642	21.9	114	1	0	0
2500 lm	4000 K	24.6	102	1	633	21.5	116	1	0	0

Optic: T5 round

Screen finish: Prismatic

System					Source			BUG		
Luminous Flux	Nominal CCT	W	lm/W	n° led	mA	W	lm/W	Backlight	Uplight	Glare
1500 lm	2700 K	13.9	108	1	347	11.4	132	1	1	0
1500 lm	3000 K	13.7	109	1	339	11.2	134	1	1	0
1500 lm	4000 K	13.4	112	1	335	11	136	1	1	0
2500 lm	2700 K	25.7	97	1	660	22.5	111	1	1	1
2500 lm	3000 K	25.1	100	1	642	21.9	114	1	1	1
2500 lm	4000 K	24.6	102	1	633	21.5	116	1	1	1